

Your Company Here

742 Evergreen Terrace
Springfield, USA

PAGE 2 OF 2

JOB # 123456

DATE 02/30/2021

SALES CND Signs

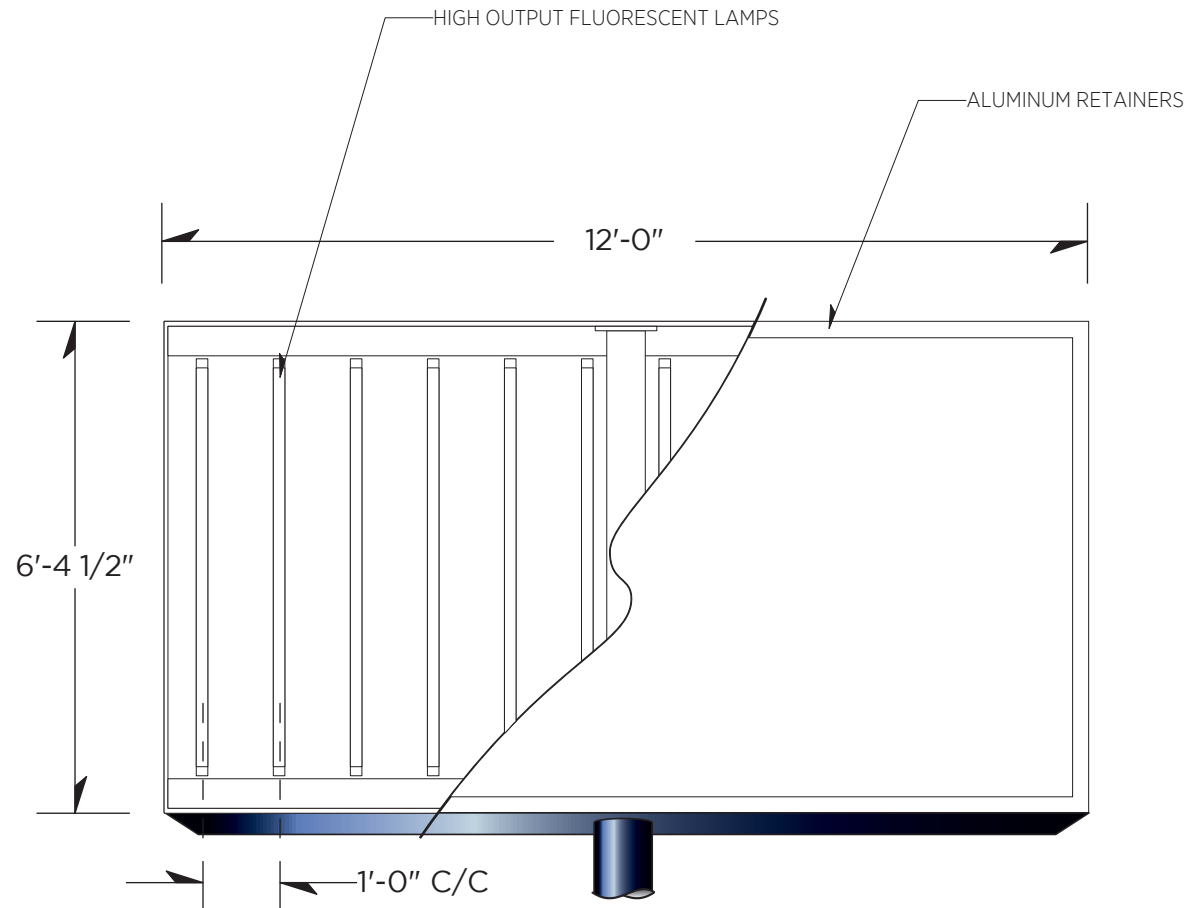
PM CND Signs

DESIGN CND Signs

VERSION #

V1 INITIAL DESIGN

ALL DESIGNS ARE PROPERTY OF AND FOR THE SOLE USE OF CND SIGNS. CND SIGNS RETAINS RIGHTS TO ALL ARTWORK, DESIGNS AND LAYOUTS UNTIL FURTHER ARRANGEMENTS ARE MADE IN A WRITTEN CONTRACTUAL AGREEMENT. CND SIGNS DOES NOT HESITATE TO PROSECUTE FOR UNAUTHORIZED REPRODUCTION OF ITS DESIGNS UPON DISCOVERY THAT A DESIGN HAS BEEN SHARED, RECREATED OR REPRODUCED WITHOUT APPROPRIATE PERMISSIONS.



ILLUMINATED CABINET

SPECIFICATIONS FOR FABRICATION AND INSTALLATION:

- Internally illuminated cabinet built to UL specifications
- Extruded aluminum construction type: Large A (with air vents)
- Retainer size: 2 1/2"
- Face type: Flex face with first-surface translucent vinyl graphics
- Mounting method: single pole (6.625" pole pocket)
- Illuminated with high output fluorescent lamps / ballasts (12" centers)
- Primary electrical requirement:
 - 120 volt (installed within six feet of sign by others)
 - Timer or photo-cell (installed by others)

